



RACK SAFETY SYSTEM RFQ

SPACEGUARD PRODUCTS

711 South Commerce Dr.

Seymour, IN 47274

812.523.3044/ (F) 812.523.3362

Email Requests to:

sales@spaceguardproducts.com

PROJECT NAME: _____

ADDRESS: _____

SHIPPING ZIP CODE: _____

COMPANY NAME: _____

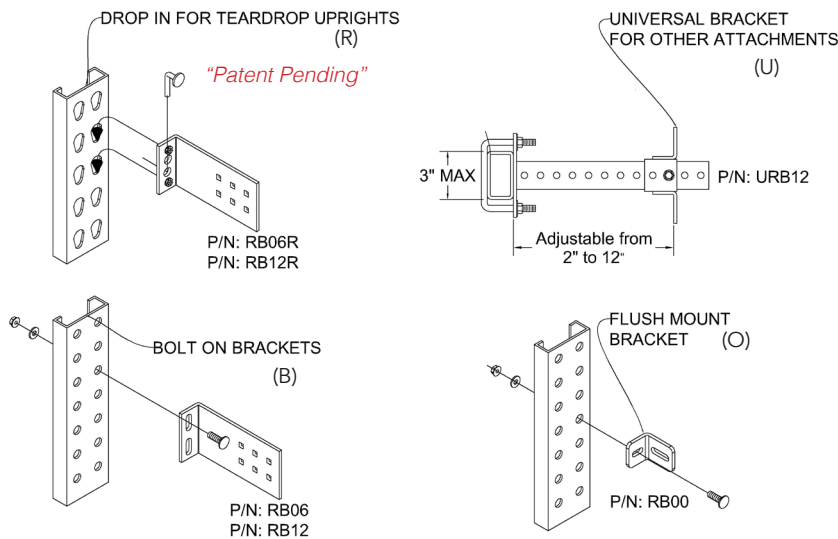
CONTACT NAME: _____

EMAIL: _____

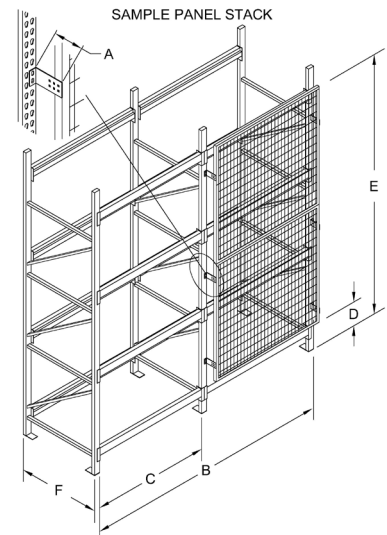
PHONE: _____

1. Upright Pattern: Teardrop _____ Structural _____ Other _____
 Rack Manufacturer (If Known) _____ Brand _____ Model _____
- 2A. Rack Panel Offset: 4", 5", 6" _____ 8", 10", 12" _____ Flush _____ Adjustable/Other _____
- 2B. Quantity of Rows: _____ Quantity of Bays per Row: _____
- 2C. Length of Beams: _____
- 2D. Height from Finished Floor to Bottom of Safety Panel: _____
- 2E. Height of Safety Panels: _____
 Will height of safety panels extend beyond uprights? (Y/N) _____ If so, how much? _____
- 2F. Rack End/Side Panels: (Depth of Uprights) _____

DETAIL 1:



DETAIL 2:



SPECIAL NOTES:

SAMPLE PANEL STACK

